



DOUGHTY ENGINEERING LTD

DATA SHEET

TITLE:
MODULAR EXTENSIONS

PART NOS:
SEE TABLE

MATERIAL:
ALUMINIUM

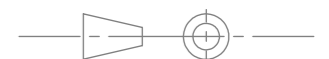
WEIGHT:
SEE TABLE

SWL:
SWL 100KG

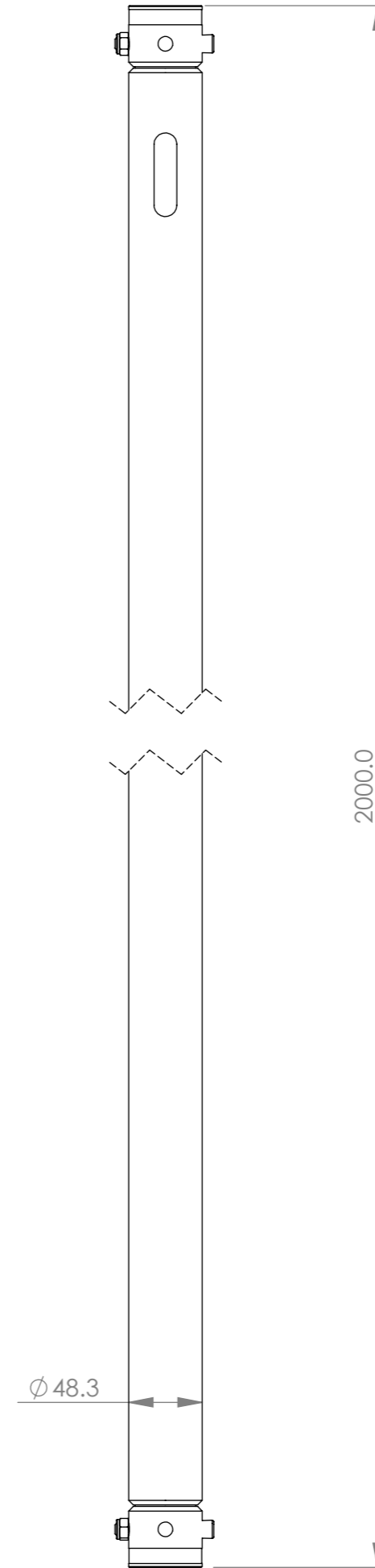
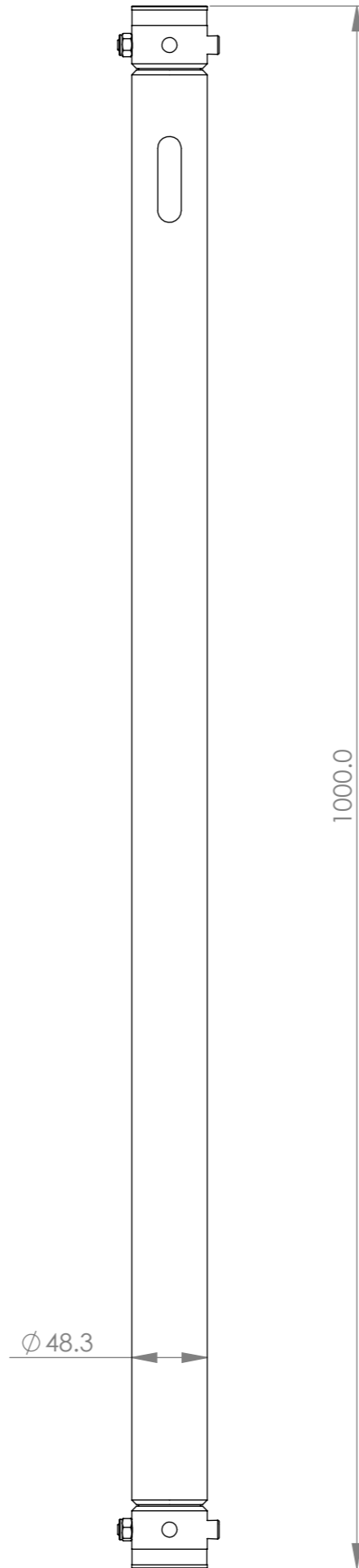
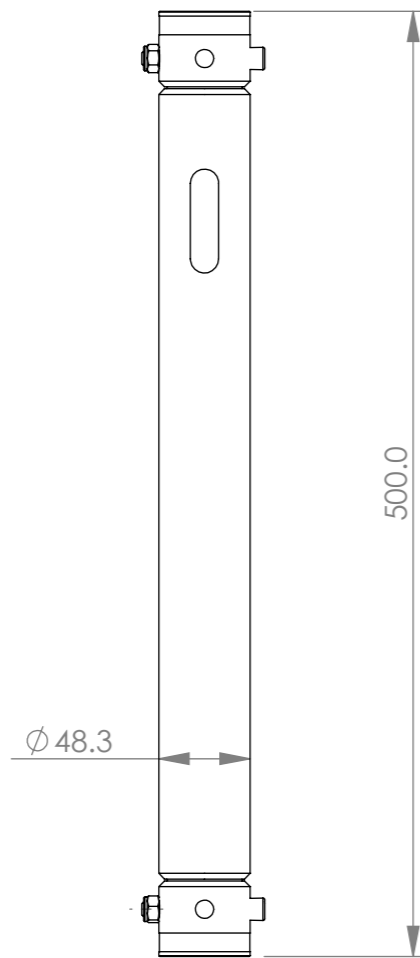
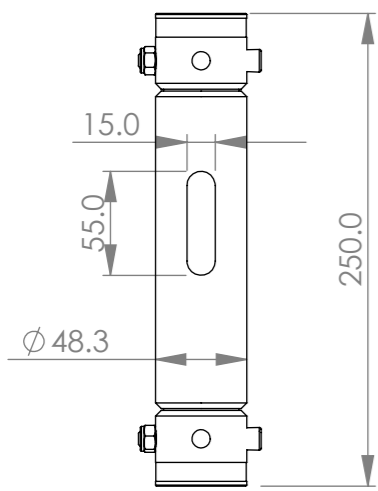
FINISH:
POWDER PAINTED

NOTES:

STRICTLY FOR REFERENCE PURPOSES ONLY



THIRD ANGLE PROJECTION



| PART NO | SIZE | WEIGHT | FINISH |
|---------|--------|--------|--------|
| T45775 | 250MM | 0.65KG | SILVER |
| T45776 | 250MM | 0.65KG | BLACK |
| T45780 | 500MM | 1.00KG | SILVER |
| T45781 | 500MM | 1.00KG | BLACK |
| T45785 | 1000MM | 1.70KG | SILVER |
| T45786 | 1000MM | 1.70KG | BLACK |
| T45790 | 2000MM | 3.20KG | SILVER |
| T45791 | 2000MM | 3.20KG | BLACK |