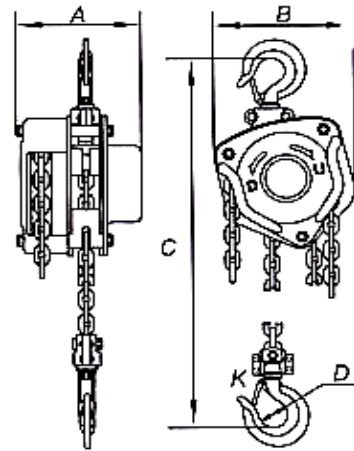


Chain Blocks CBLG



- ◆ Industrial quality
- ◆ Captive bearings on load wheels
- ◆ Surfaced hardened gears
- ◆ Close tolerance guide rollers
- ◆ Cast steel latch hook
- ◆ Lightweight & compact
- ◆ Heavy duty safety catch
- ◆ Overload protection model available
- ◆ High quality G8 load chain
- ◆ Low service costs.



	250kg	500kg	1 tonne	1.5 tonne	2 tonne	3 tonne	5 tonne	10 tonne	20 tonne	30 tonne
A	114	131	140	161	161	161	186	207	215	350
B	120	127	158	174	187	199	253	398	650	680
C	280	270	317	399	414	465	636	798	890	1380
D	31	35	35.5	45	42.5	50	64	85	110	110
K	21	30	28	36	33.5	40	50	64	85	85
LOAD CHAIN DIA	4	6	6	8	8 OR 6	8	10	10	10	10

CAPACITY	H.O.L.	FALLS OF CHAIN	WEIGHT @ 3 MTR	EXTRA WEIGHT PER METRE OF EXTRA LIFT KG
250kg	3MTR	1	5	1
500kg	3MTR	1	9.6kg	1.7
1 tonne	3MTR	1	11.8kg	1.7
1.5 tonne	3MTR	1	19kg	2.3
2 tonne	3MTR	1 OR 2	21 & 26kg	2.3
3 tonne	3MTR	2	27kg	3.7
5 tonne	3MTR	2	55kg	5.6
10 tonne	3MTR	4	93kg	9.7
20 tonne	3MTR	8	213kg	19.4
30 tonne	3MTR	12	300kg	31.78



Chain Containers available for most types of manual and powered hoists