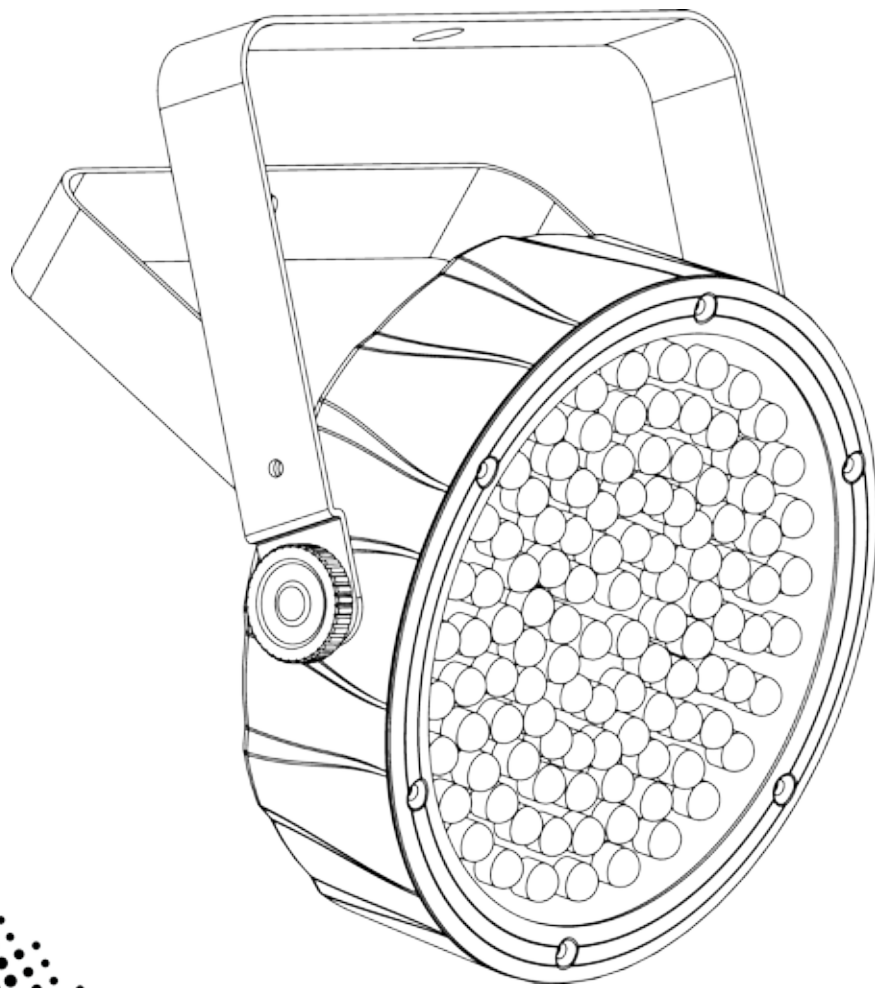


# Slim**PAR 56**

*User Manual*



**CHAUVET®**

---

# TABLE OF CONTENTS

<b>1. Before you Begin</b> .....	<b>3</b>
What is Included.....	3
Unpacking Instructions.....	3
Text Conventions.....	3
Icons.....	3
Safety Notes.....	4
<b>2. Introduction</b> .....	<b>5</b>
Product Overview.....	5
<b>3. Setup</b> .....	<b>6</b>
AC Power.....	6
<i>Power Linking</i> .....	6
Mounting.....	7
<i>Orientation</i> .....	7
<i>Rigging</i> .....	7
<b>4. Operation</b> .....	<b>8</b>
Control Panel Operation.....	8
Menu Map.....	8
Configuration (DMX).....	9
<i>Starting Address</i> .....	9
Configuration (Standalone).....	9
<i>Sound Active Mode</i> .....	9
<i>Automatic Mode</i> .....	9
<i>Static Mode</i> .....	10
<i>Custom Static Colors</i> .....	10
<i>Master/Slave Mode</i> .....	10
DMX Channel Assignments and Values.....	11
<i>7-CH Mode</i> .....	11
<i>3-CH Mode</i> .....	11
<b>5. Technical Information</b> .....	<b>11</b>
General Maintenance.....	11
General Troubleshooting.....	12
Returns.....	13
Claims.....	13
<b>6. Technical Specifications</b> .....	<b>14</b>

# 1. BEFORE YOU BEGIN

## What is Included

### SLIMPAR56:

- 1 x SlimPAR 56
- 1 x Power Cord
- 1 x Warranty Card
- 1 x User Manual

### SLIMPACK56LT:

- 4x SlimPAR 56
- 3x DMX Cable
- 4x Power Cord
- Carry Bag
- Warranty Card
- Quick Reference Guide

## Unpacking Instructions

Immediately upon receiving this product, carefully unpack it and check the container in which you received it. Make sure that you have received all the parts indicated above and that they are all in good condition. If the material inside the container (this product and any other accessory included with it) appears damaged from shipping, or if the container shows signs of mishandling, notify the shipper immediately. In addition, retain the container and all the packing material for inspection.

See the *Claims* section in the “*Technical Information*” chapter.




## Text Conventions

Chauvet manuals use the following conventions to differentiate certain types of information from the regular text.

Convention	Meaning
[10]	A DIP switch to be configured
<Menu>	A key to be pressed on the fixture's control panel
1~512	A range of values
50/60	A set of values of which only one can be chosen
<b>Settings</b>	A menu option not to be modified (for example, showing the operating mode/current status)
<b>Menu &gt; Settings</b>	A sequence of menu options to be followed
<b>ON</b>	A value to be entered or selected

## Icons

This manual uses the following icons to indicate information that requires special attention on the part of the user.

Icon	Meaning
	This paragraph contains critical installation, configuration, or operation information. Failure to comply with this information may render the fixture partially or completely inoperative, cause damage to the fixture, or cause harm to the user.
	This paragraph contains important installation or configuration information. Failure to comply with this information may prevent the fixture from functioning correctly.
	This paragraph reminds you of useful, although not critical, information.

---

## Document Information

### Disclaimer

Chauvet believes that the information contained in this manual is accurate in all respects. However, Chauvet assumes no responsibility for any error or omissions in this document. Chauvet reserves the right to revise this document and to make changes from time to time in the content without obligation of Chauvet to notify any person or company of such revision or changes. Chauvet may issue a revision of this manual or a new edition of it to incorporate such changes. This does not constitute in any way a commitment by Chauvet to make such changes.

© Copyright 2017 Chauvet. All rights reserved.

Printed in P.R.C. Electronically published by Chauvet in the U.S.A.

## Product at a Glance

Use on Dimmer	X	Auto Programs	P
Outdoor Use	X	Auto-ranging Power Supply	P
Sound Activated	P	Replaceable Fuse	P
DMX	P	User Serviceable	X
Master/Slave	P	Duty Cycle	X

## Safety Notes

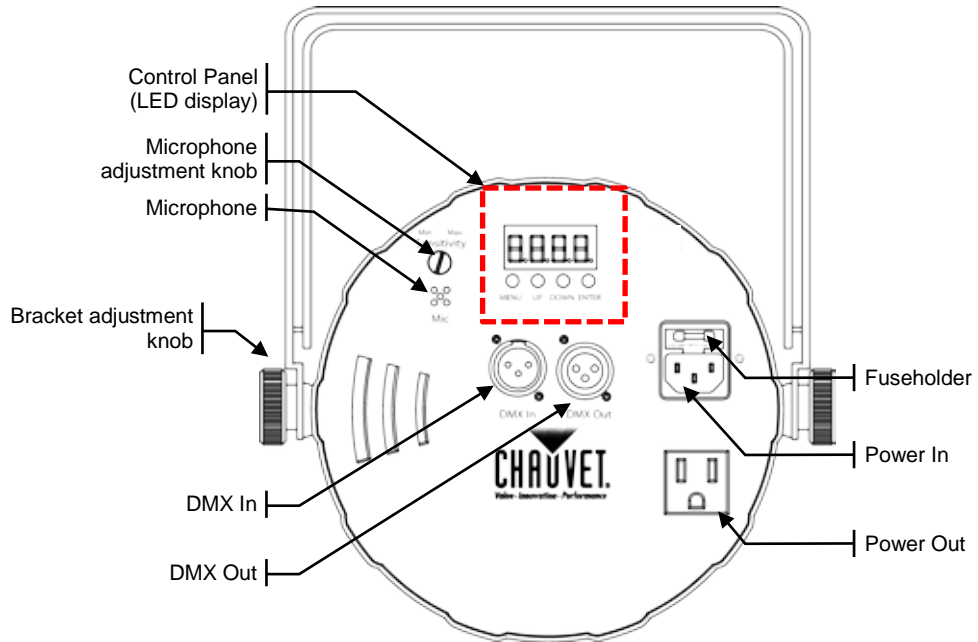


**Please read the following notes carefully because they include important safety information about the installation, usage, and maintenance of this product.**

- Keep this User Manual for future consultation. If you sell this product, be sure that they also receive this document.
- Always make sure that the voltage of the outlet to which you are connecting this product is within the range stated on the decal or rear panel of the fixture.
- This product is for indoor use only! To prevent risk of fire or shock, do not expose this fixture to rain or moisture.
- Make sure there are no flammable materials close to the unit while operating.
- Always install this product in a location with adequate ventilation, at least 20 in (50 cm) from adjacent surfaces.
- Be sure that no ventilation slots on the unit's housing are blocked.
- Always disconnect this product from the power source before cleaning it or replacing fuse.
- Make sure to replace the fuse with another of the same type and rating.
- If mounting this product overhead, always secure it to a fastening device using a safety cable.
- The maximum ambient temperature ( $T_a$ ) is 104° F (40° C). Do not operate this product at higher temperatures.
- In the event of a serious operating problem, stop using the unit immediately.
- Never try to repair this product. Repairs carried out by unskilled people can lead to damage or malfunction. Please contact the nearest authorized technical assistance center.
- Never connect this product to a dimmer pack.
- Make sure the power cord is not crimped or damaged.
- Never disconnect the power cord by pulling or tugging on the cord.
- Never carry a fixture from the power cord or any moving part. Always use the hanging/mounting bracket or the handles.
- Always avoid direct eye exposure to the light source when this fixture is on.

## 2. INTRODUCTION

### Product Overview



# 3. SETUP

## AC Power

This product has an auto-ranging power supply and it can work with an input voltage range of 100~240 VAC, 50/60 Hz.

To determine the power requirements for a particular fixture, see the label affixed to the back plate of the fixture or refer to the fixture's specifications chart. A fixture's listed current rating indicates its average current draw under normal conditions.



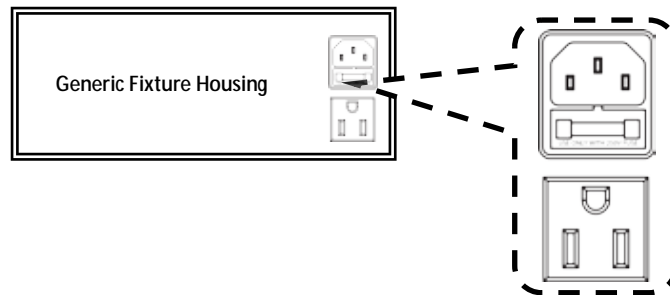
**Always connect this product to a protected circuit (circuit breaker or fuse), making sure that it has an appropriate electrical ground to avoid the risk of electrocution or fire.**



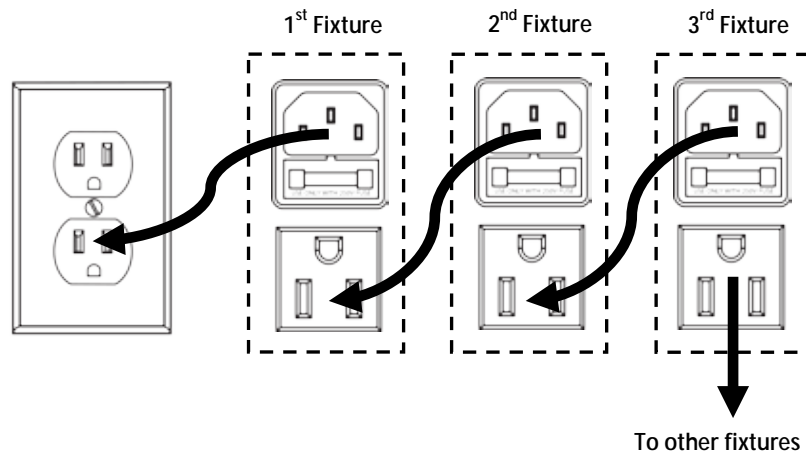
**Never connect this product to a rheostat (variable resistor) or dimmer circuit, even if the rheostat or dimmer channel serves only as a 0 to 100% switch.**

### Power Linking

This fixture provides power linking via the Edison outlet located in the back of the unit. Please see the diagram below for further explanation.



Power Linking Diagram



**You can power link up to 81 SlimPAR™ 56 units on 120 VAC or up to 143 SlimPAR™ 56 units on 230 VAC.**



**The power linking diagram shown above corresponds to the North American version of this product ONLY! If using this product in other markets, you must consult with the local Chauvet distributor as power linking connectors and requirements may differ in your country or region.**

---

## Mounting

### Orientation

The SlimPAR 56 may be mounted in any position, provided there is adequate room for ventilation.

### Rigging

Be sure that the structure onto which you are mounting this product can support its weight. Please see the "Technical Specifications" section of this manual for weight information.

Mount the fixture securely. You can do this with a screw, a nut, and a bolt. You could also use a mounting clamp if rigging this product onto a truss. The bracket has a hole that is 13 mm in diameter, which is appropriate for this purpose.

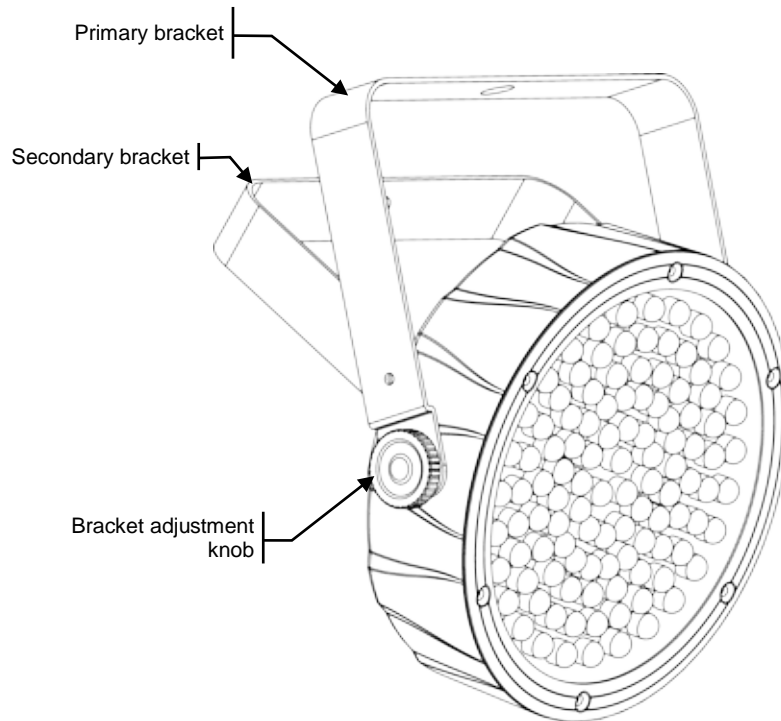
When mounting this product overhead, always use a safety cable.

Always consider ease of access to the unit for maintenance and programming purposes before deciding on a location for this product

When power linking multiple fixtures, always consider the length of the power linking cable and mount the fixtures close enough from each other to accommodate for this.

The bracket knobs allow for directional adjustment when aiming the fixture to the desired angle. Do not use tools to loose or tighten the bracket knobs. Doing otherwise could damage the knobs.

Mounting Diagram

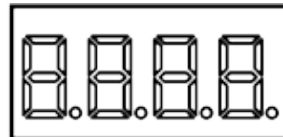


# 4. OPERATION

## Control Panel Operation

To access the control panel functions, use the four buttons located underneath the display.

Button	Function
<MENU>	Press it to find an operation mode or to back out of the current menu option
<UP>	Use it to scroll up the list of options or to find a higher value
<DOWN>	Use it to scroll down the list of options or to find a lower value
<ENTER>	Use it to activate a menu option or a selected value



## Menu Map

Mode	Programming Steps		Description
<i>P--</i>	<i>P1</i>		7 color program (switching)
	<i>P2</i>		7 color program (fading)
	<i>P3</i>		3 color program (switching)
	<i>P4</i>		3 color program (fading)
	<i>P5</i>		7 color program (sound-active)
	<i>P6</i>		3 color program (sound-active)
<i>3-CH</i>	<i>d001~512</i>		3-channel DMX mode (RGB)
<i>7-CH</i>	<i>d001~512</i>		7-channel DMX mode
<i>C--</i>	<i>C1</i>	<b>Red</b>	Static
	<i>C2</i>	<b>Green</b>	
	<i>C3</i>	<b>Blue</b>	
	<i>C4</i>	<b>Cyan</b>	
	<i>C5</i>	<b>Magenta</b>	
	<i>C6</i>	<b>Yellow</b>	
	<i>C7</i>	<b>White</b>	
<i>S--</i>	<i>S001~S100</i>		Program speed for P1~P4
<i>U--</i>	<i>r--</i>	<b>Red (r000~100)</b>	Custom Static Colors: Combine red, green, and blue
	<i>g--</i>	<b>Green (g000~100)</b>	
	<i>b--</i>	<b>Blue (b000~100)</b>	



---

## Configuration (DMX)

Setting this product to operate in DMX mode will allow you to control it with a DMX controller.

- 1) Connect this product to a suitable power outlet
- 2) Turn this product on
- 3) Connect a DMX cable from the DMX output of the DMX controller to the DMX input socket of this product.

## Starting Address

When selecting a starting DMX address, you must always consider the number of DMX channels assigned to the selected DMX mode. If you choose a starting address that is too high, you could limit the access to some of the channels of the DMX mode in use.

The SlimPAR™ 56 uses up to seven DMX channels in the **7-CH** personality, which defines the highest configurable address to 507.

If you are not familiar with the DMX protocol, you may refer to the “DMX Primer” section in the *“Technical Information”* chapter.

To select the starting address, do the following:

- 1) Press **<MENU>** repeatedly until **3-CH** or **7-CH** shows on the display.
- 2) Press **<ENTER>**.
- 3) Use **<UP>** or **<DOWN>** to select the starting address: **d001~d507**.
- 4) Press **<ENTER>**.

## Configuration (Standalone)

### Sound Active Mode

To enable the Sound Active mode, do the following:

- 1) Connect this product to a suitable power outlet
- 2) Turn this product on
- 3) Press **<MENU>** repeatedly until **P--** shows on the display.
- 4) Press **<ENTER>**.
- 5) Use **<UP>** or **<DOWN>** to select **P5** or **P6** shows on the display.
- 6) Press **<ENTER>**.
- 7) Turn the music on and adjust the microphone sensitivity knob until the fixture starts reacting to the beat of the music.



**The fixture will only respond to the low frequencies of the music (bass and drums).**

### Automatic Mode

To enable the Automatic Mode, follow the instructions below:

- 1) Connect this product to a suitable power outlet
- 2) Turn this product on
- 3) Press **<MENU>** repeatedly until **P--** shows on the display.
- 4) Press **<ENTER>**.
- 5) Use **<UP>** or **<DOWN>** to select **P1~P4** shows on the display.
- 6) Press **<ENTER>**.
- 7) Press **<MENU>** repeatedly until **S--** shows on the display.
- 8) Use **<UP>** or **<DOWN>** to adjust the speed of the program: **S001~100**.
- 9) Press **<ENTER>**.



**Never connect a fixture that is operating in Static, Automatic, Custom Static, or Sound Active mode to a DMX string that is being controlled by a DMX controller because the signals from the fixture may interfere with the signals from the controller.**

---

## Static Mode

To enable the Static mode, do the following:

- 1) Connect this product to a suitable power outlet
- 2) Turn this product on
- 3) Press <MENU> repeatedly until **C--** shows on the display.
- 4) Press <ENTER>.
- 5) Use <UP> or <DOWN> to select the preset color: **C1~C7**.
- 6) Press <ENTER>.

## Custom Static Colors

To enable the Custom Static Colors mode, do the following:

- 1) Connect this product to a suitable power outlet
- 2) Turn this product on
- 3) Press <MENU> repeatedly until **U--** shows on the display.
- 4) Press <ENTER>.
- 5) Use <UP> or <DOWN> to select the desired color: red (**r--**), green (**g--**), or blue (**b--**).
- 6) Press <ENTER>.
- 7) Use <UP> or <DOWN> to select the desired color value: **000~100**. Selecting 000 will turn the color off.
- 8) Press <ENTER> to continue to the next color.
- 9) Repeat steps 5 ~ 7 until you create your desired color.
- 10) Press <ENTER> to save the color.



**Never connect a fixture that is operating in Static, Automatic, Custom Static, or Sound Active mode to a DMX string that is being controlled by a DMX controller because the signals from the fixture may interfere with the signals from the controller.**

## Master/Slave Mode

This mode allows a single SlimPAR™ 56 unit (the “master”) to control the actions of one or more SlimPAR™ 56 units (the “slaves”) without the need of a DMX controller. The master unit will be set to operate in either Automatic or Sound Active mode, while the slave units will be set to operate in Slave Mode. Once set and connected, the slave units will operate in unison with the master unit.

Configure the units as indicated below.

Slave units:

- 1) Press <MENU> repeatedly until **3-CH** or **7-CH** shows on the display.
- 2) Press <ENTER> to accept.
- 3) Use <UP> or <DOWN> to select the starting address to: **d001**.
- 4) Press <ENTER>.
- 5) Connect the DMX input of the first slave unit to the DMX output of the master unit.
- 6) Connect the DMX input of the subsequent slave units to the DMX output of the previous slave unit.
- 7) Finish setting and connecting all the slave units.

Master unit:

- 1) Set the master unit to operate in either Automatic or Sound mode, as previously indicated.
- 2) Make the master unit the first unit in the DMX daisy chain.



- **Wait until all the slave units are configured and connected before connecting the master unit to the DMX daisy chain.**
- **Never connect a DMX controller to a DMX string configured for Master/Slave operation because it may interfere with the signals from the master unit.**



**Do not connect more than 31 slave units to the master unit.**

## DMX Channel Assignments and Values

### 7-CH Mode

Channel	Function	Value	Setting
1	Red	000 ◊ 255	0~100%
2	Green	000 ◊ 255	0~100%
3	Blue	000 ◊ 255	0~100%
4	Color Macros (overrides CH.1~3)	000 ◊ 015 016 ◊ 255	No function Color Macros
5	Speed (when CH.6 is between 032~223)	000 ◊ 255	0~100%
	Strobe	000 ◊ 015 016 ◊ 255	No function Slow ~ fast
6	Mode	000 ◊ 031	RGB mode
		032 ◊ 063	Pulse effect 0%~100%
		064 ◊ 095	Pulse effect 100%~0%
		096 ◊ 127	Pulse effect 100%~0%~100%
		128 ◊ 159	Auto fade transition
		160 ◊ 191	Auto snap transition (3 colors)
		192 ◊ 223	Auto snap transition (7 colors)
224 ◊ 255	Sound triggering mode		
7	Dimmer	000 ◊ 255	0~100%

### 3-CH Mode

Channel	Function	Value	Setting
1	Red	000 ◊ 255	0~100%
2	Green	000 ◊ 255	0~100%
3	Blue	000 ◊ 255	0~100%

## 5. TECHNICAL INFORMATION

### General Maintenance

Dust build up reduces light output performance and can cause overheating. This can lead to reduction of the light source's life and mechanical wear. To maintain optimum performance and minimize wear, you should clean your lighting fixtures at least twice a month. However, be aware that usage and environmental conditions could be contributing factors to increase the cleaning frequency.

To clean a lighting fixture, follow the instructions below:

- Unplug the fixture from power.
- Wait until the fixture is cold.
- Use a vacuum (or dry compressed air) and a soft brush to remove dust collected on the external vents and reachable internal components.
- Clean all external optics and glass surfaces with a mild solution of glass cleaner or isopropyl alcohol, and a soft, lint free cotton cloth or a lens cleaning tissue.
- Apply the solution directly to the cloth or tissue and drag any dirt or grime to the outside of the lens.
- Gently polish the external glass surfaces until they are free of haze and lint.
- When cleaning units with a movable mirror, you should keep the contact with the mirror surface to a minimum to avoid scratching or damaging it.



**Always dry the external optics and glass surfaces carefully after cleaning them.**



**If the fixture has one or more cooling fans, refrain from spinning them using compressed air.**

## General Troubleshooting

Symptom	Possible Cause	Possible Action
Circuit breaker or fuse keeps blowing	Excessive load on the circuit	Make sure that the total load does not exceed 80% of the breaker or fuse nominal current
	Short circuit along the power lines	Check the power lines and power cords
Product does not power up	No energy on power outlet	Check power outlet Change to another outlet
	Loose or damaged power cord	Check the power cord
	Blown fuse	Replace blown fuse with a good one of the same type and rating
	Internal problem	Send product for repair
Fixture does not respond to DMX	Wrong starting address on the fixture	Set the correct starting address on the fixture Use the right fader(s) on the controller
	Wrong DMX personality on the fixture	Set the correct DMX personality on fixture Assign the faders accordingly
	Wrong polarity setting on the DMX controller	Change the signal polarity on the controller
	Loose or damaged DMX cable	Check the DMX cable before the faulty unit
	Internal problem	Send product for repair
Intermittent DMX Problems	Signal cables are not DMX compatible	Replace non DMX cables with true DMX cables
	Interference with AC or radio signals	Keep DMX cables away from AC wires or radio equipment
	DMX cable too long	Install an optically coupled DMX amplifier right before the fixture with intermittent problems
	Too many fixtures connected	Install an optically coupled DMX amplifier after unit #32
	Terminator not connected	Install a terminator.



If you still experience problems after trying the above solutions, contact **Chauvet Technical Support**.

---

## Returns

The user must send the merchandise prepaid, in the original box, and with its original packing and accessories. Chauvet will not issue call tags.

Call Chauvet and request a Return Merchandise Authorization Number (RMA #) before shipping the fixture. Be prepared to provide the model number, serial number, and a brief description of the cause for the return.

The user must clearly label the package with a Return Merchandise Authorization Number (RMA #). Chauvet will refuse any product returned without an RMA #.



**DO NOT write the RMA # directly on the box. Instead, write it on a properly affixed label.**

Once you have received the RMA #, please include the following information on a piece of paper inside the box:

- Your name
- Your address
- Your phone number
- The RMA #
- A brief description of the problem

Be sure to pack the fixture properly. Any shipping damage resulting from inadequate packaging will be the customer's responsibility. As a suggestion, proper UPS packing or double-boxing is always a safe method to use.



**Chauvet reserves the right to use its own discretion to repair or replace returned product(s).**

## Claims

The carrier is responsible for any damage incurred during shipping to this product or any part that shipped with it. Therefore, if the received merchandise appears to have damages caused during shipping, the customer must submit the damage report and any related claims with the carrier, not Chauvet. The customer must submit the report upon reception of the damaged merchandise. Failure to do so in a timely manner may invalidate the customer's claim with the carrier.

For other issues such as missing components or parts, damage not related to shipping, or concealed damage, the customer must make claims to Chauvet within seven (7) days of receiving the merchandise.

## 6. TECHNICAL SPECIFICATIONS

### Dimensions and Weight

Length	Width	Height	Weight
9.5 in (241 mm)	8.8 in (224 mm)	2.2 in (56 mm)	2.7 lbs (1.2 kg)

**Note:** Dimensions in inches rounded to the nearest decimal digit.

### Power

Power Supply Type	Range	Voltage Selection
Switching (internal)	100~240 V, 50/60 Hz	Auto-ranging
Parameter	120 V, 60 Hz	230 V, 50 Hz
Consumption	24 W (0.2 A)	27 W (0.1 A)
Power Linking	50 units	100 units
Power I/O	Input	Output
Connectors	IEC	Edison
Cord plug	Edison	N/A

### Fuse

Type
F 1 A, 250 V

### Light Source

Type	Size	Lifespan
LED	10mm	100,000 hours
Color	Quantity	Current
Red	36	20 mA
Green	36	20 mA
Blue	36	20 mA

### Photo Optic

Parameter	Value
Illuminance @ 2 m	876 lux
Beam angle	14°
Field angle	23°

### Thermal

Maximum External Temp.	Cooling System
104° F (40° C)	Convection

### DMX

I/O Connectors	Connector Type	Channel Range
3-pin XLR	Sockets	3, 7

### Ordering

SlimPAR 56	SlimPACK 56 LT
SLIMPAR56	SLIMPACK56LT



---

**Contact Us**

**USA WORLD HEADQUARTERS**

**General Information**

Address: 5200 NW 108th Avenue  
Sunrise, FL 33351  
Voice: (954) 577-4455  
Fax: (954) 929-5560  
Toll free: (800) 762-1084

**Technical Support**

Voice: (844) 393-7575  
Fax: (954) 756-8015  
Email: [chauvetcs@chauvetlighting.com](mailto:chauvetcs@chauvetlighting.com)

**World Wide Web** [www.chauvetlighting.com](http://www.chauvetlighting.com)

**EUROPE**

**General Information**

Address: Stokstraat 18  
9770 Kruishoutem  
Belgium  
Voice: +32 9 388 93 97

**Technical Support**

Email: [Eutech@chauvetlighting.eu](mailto:Eutech@chauvetlighting.eu)

**World Wide Web** [www.chauvetlighting.eu](http://www.chauvetlighting.eu)

**General Information**

Address: Unit 1C  
Brookhill Road Industrial Estate  
Pinxton, Nottingham, UK  
NG16 6NT  
Voice: +44 (0)1773 511115  
Fax: +44 (0)1773 511110

**Technical Support**

Email: [uktech@chauvetlighting.com](mailto:uktech@chauvetlighting.com)

**World Wide Web** [www.chauvetlighting.co.uk](http://www.chauvetlighting.co.uk)

**MEXICO**

**General Information - Chauvet Mexico**

Address: Av. de las Partidas 34-3B Zona  
Industrial Lerma  
Lerma, Edo. de Mexico C.P. 52000  
Voice: +52 (728) 285-5000

**Technical Support**

Email: [servicio@chauvet.com.mx](mailto:servicio@chauvet.com.mx)

**World Wide Web** [www.chauvet.com.mx](http://www.chauvet.com.mx)

Outside the U.S., United Kingdom, Ireland, Mexico, or Benelux contact the dealer of record. Follow their instructions to request support or to return a product. Visit our website for contact details.